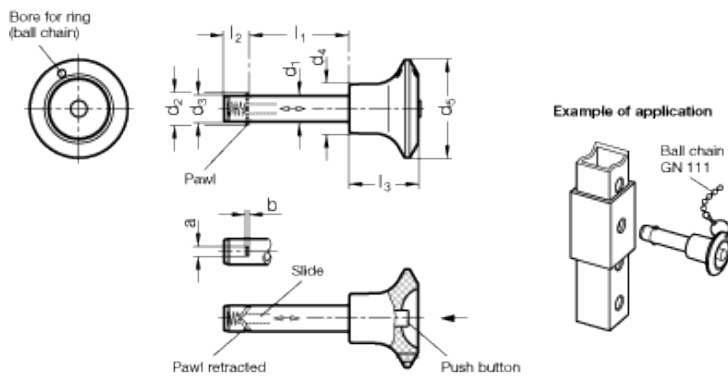


GN 114.6

Stainless Steel-Lock pins



INOX
Stainless Steel



technical informations

Pin

AISI 303 stainless steel.

Pawl

AISI 304 stainless steel.

Spring

AISI 301 stainless steel.

Knob

AISI 303 stainless steel.

Push button

AISI 303 stainless steel.

Accessories on request

- Ball chains GN 111.
- Retaining cables GN 111.2.
- Spiral retaining cables GN 111.4.

Features and applications

Pins with axial lock GN 114.6 are used for quick fixing, connecting and locking of various jig and fixture systems. A typical application is locating pins which have to be often removed and re-placed again.

The two locking pawls can be retracted by pressing the button and on releasing it the pawls will be locked again.

The rectangular shape of the locking pawls in stainless steel creates a linear contact area which gives an increased axial shear strength.

The load values given in the above table at shear stress are theoretically obtained and indicative only. They are non-binding recommended values and rule out any liability. They constitute no general warranty of quality and condition. The user must determine from case to case whether a product is suitable for the intended use.

| Standard Elements | Main dimensions | | | | | | | | | | Double sided shearing force in kN \approx | Weight |
|-------------------|-----------------|---------------------|-----|-----|---------------------|----------------|----------------|----------------|----------------|----------------|---|--------|
| Description | d ₁ | l ₁ +0.4 | a | b | d ₂ | d ₃ | d ₄ | d ₅ | l ₂ | l ₃ | | g |
| GN 114.6-6-16 | 6 | 16 | 2.3 | 0.5 | 7.5 _{+0.5} | 5.9 | 12 | 25 | 7 | 20 | 17 | 33 |
| GN 114.6-6-20 | 6 | 20 | 2.3 | 0.5 | 7.5 _{+0.5} | 5.9 | 12 | 25 | 7 | 20 | 17 | 34 |
| GN 114.6-6-25 | 6 | 25 | 2.3 | 0.5 | 7.5 _{+0.5} | 5.9 | 12 | 25 | 7 | 20 | 17 | 35 |
| GN 114.6-6-30 | 6 | 30 | 2.3 | 0.5 | 7.5 _{+0.5} | 5.9 | 12 | 25 | 7 | 20 | 17 | 36 |
| GN 114.6-6-35 | 6 | 35 | 2.3 | 0.5 | 7.5 _{+0.5} | 5.9 | 12 | 25 | 7 | 20 | 17 | 37 |
| GN 114.6-6-40 | 6 | 40 | 2.3 | 0.5 | 7.5 _{+0.5} | 5.9 | 12 | 25 | 7 | 20 | 17 | 38 |
| GN 114.6-6-45 | 6 | 45 | 2.3 | 0.5 | 7.5 _{+0.5} | 5.9 | 12 | 25 | 7 | 20 | 17 | 40 |
| GN 114.6-6-50 | 6 | 50 | 2.3 | 0.5 | 7.5 _{+0.5} | 5.9 | 12 | 25 | 7 | 20 | 17 | 40 |
| GN 114.6-8-16 | 8 | 16 | 2.8 | 1 | 10 _{+0.5} | 7.9 | 15 | 30 | 8.4 | 21 | 35 | 53 |
| GN 114.6-8-20 | 8 | 20 | 2.8 | 1 | 10 _{+0.5} | 7.9 | 15 | 30 | 8.4 | 21 | 35 | 55 |
| GN 114.6-8-25 | 8 | 25 | 2.8 | 1 | 10 _{+0.5} | 7.9 | 15 | 30 | 8.4 | 21 | 35 | 57 |
| GN 114.6-8-30 | 8 | 30 | 2.8 | 1 | 10 _{+0.5} | 7.9 | 15 | 30 | 8.4 | 21 | 35 | 59 |
| GN 114.6-8-35 | 8 | 35 | 2.8 | 1 | 10 _{+0.5} | 7.9 | 15 | 30 | 8.4 | 21 | 35 | 60 |
| GN 114.6-8-40 | 8 | 40 | 2.8 | 1 | 10 _{+0.5} | 7.9 | 15 | 30 | 8.4 | 21 | 35 | 62 |
| GN 114.6-8-45 | 8 | 45 | 2.8 | 1 | 10 _{+0.5} | 7.9 | 15 | 30 | 8.4 | 21 | 35 | 65 |
| GN 114.6-8-50 | 8 | 50 | 2.8 | 1 | 10 _{+0.5} | 7.9 | 15 | 30 | 8.4 | 21 | 35 | 66 |
| GN 114.6-10-20 | 10 | 20 | 3.3 | 1 | 12 ₊₁ | 9.9 | 18 | 34 | 9.8 | 26 | 47 | 87 |
| GN 114.6-10-25 | 10 | 25 | 3.3 | 1 | 12 ₊₁ | 9.9 | 18 | 34 | 9.8 | 26 | 47 | 90 |
| GN 114.6-10-30 | 10 | 30 | 3.3 | 1 | 12 ₊₁ | 9.9 | 18 | 34 | 9.8 | 26 | 47 | 93 |
| GN 114.6-10-35 | 10 | 35 | 3.3 | 1 | 12 ₊₁ | 9.9 | 18 | 34 | 9.8 | 26 | 47 | 95 |
| GN 114.6-10-40 | 10 | 40 | 3.3 | 1 | 12 ₊₁ | 9.9 | 18 | 34 | 9.8 | 26 | 47 | 99 |
| GN 114.6-10-45 | 10 | 45 | 3.3 | 1 | 12 ₊₁ | 9.9 | 18 | 34 | 9.8 | 26 | 47 | 103 |
| GN 114.6-10-50 | 10 | 50 | 3.3 | 1 | 12 ₊₁ | 9.9 | 18 | 34 | 9.8 | 26 | 47 | 106 |
| GN 114.6-10-60 | 10 | 60 | 3.3 | 1 | 12 ₊₁ | 9.9 | 18 | 34 | 9.8 | 26 | 47 | 111 |
| GN 114.6-12-25 | 12 | 25 | 3.8 | 1 | 14 ₊₁ | 11.9 | 18 | 34 | 11.3 | 26 | 75 | 99 |
| GN 114.6-12-30 | 12 | 30 | 3.8 | 1 | 14 ₊₁ | 11.9 | 18 | 34 | 11.3 | 26 | 75 | 102 |
| GN 114.6-12-35 | 12 | 35 | 3.8 | 1 | 14 ₊₁ | 11.9 | 18 | 34 | 11.3 | 26 | 75 | 109 |

| | | | | | | | | | | | | |
|----------------|----|----|-----|-----|------------------|------|----|----|------|----|-----|-----|
| GN 114.6-12-40 | 12 | 40 | 3.8 | 1 | 14 ₊₁ | 11.9 | 18 | 34 | 11.3 | 26 | 75 | 113 |
| GN 114.6-12-45 | 12 | 45 | 3.8 | 1 | 14 ₊₁ | 11.9 | 18 | 34 | 11.3 | 26 | 75 | 117 |
| GN 114.6-12-50 | 12 | 50 | 3.8 | 1 | 14 ₊₁ | 11.9 | 18 | 34 | 11.3 | 26 | 75 | 121 |
| GN 114.6-12-60 | 12 | 60 | 3.8 | 1 | 14 ₊₁ | 11.9 | 18 | 34 | 11.3 | 26 | 75 | 129 |
| GN 114.6-12-70 | 12 | 70 | 3.8 | 1 | 14 ₊₁ | 11.9 | 18 | 34 | 11.3 | 26 | 75 | 139 |
| GN 114.6-12-80 | 12 | 80 | 3.8 | 1 | 14 ₊₁ | 11.9 | 18 | 34 | 11.3 | 26 | 75 | 146 |
| GN 114.6-16-30 | 16 | 30 | 4.8 | 1.2 | 19 ₊₁ | 15.9 | 22 | 40 | 14.2 | 32 | 138 | 181 |
| GN 114.6-16-35 | 16 | 35 | 4.8 | 1.2 | 19 ₊₁ | 15.9 | 22 | 40 | 14.2 | 32 | 138 | 188 |
| GN 114.6-16-40 | 16 | 40 | 4.8 | 1.2 | 19 ₊₁ | 15.9 | 22 | 40 | 14.2 | 32 | 138 | 196 |
| GN 114.6-16-45 | 16 | 45 | 4.8 | 1.2 | 19 ₊₁ | 15.9 | 22 | 40 | 14.2 | 32 | 138 | 203 |
| GN 114.6-16-50 | 16 | 50 | 4.8 | 1.2 | 19 ₊₁ | 15.9 | 22 | 40 | 14.2 | 32 | 138 | 212 |
| GN 114.6-16-60 | 16 | 60 | 4.8 | 1.2 | 19 ₊₁ | 15.9 | 22 | 40 | 14.2 | 32 | 138 | 226 |
| GN 114.6-16-70 | 16 | 70 | 4.8 | 1.2 | 19 ₊₁ | 15.9 | 22 | 40 | 14.2 | 32 | 138 | 243 |
| GN 114.6-16-80 | 16 | 80 | 4.8 | 1.2 | 19 ₊₁ | 15.9 | 22 | 40 | 14.2 | 32 | 138 | 258 |
| GN 114.6-20-30 | 20 | 30 | 4.8 | 1.2 | 23 ₊₁ | 19.8 | 25 | 40 | 14.8 | 33 | 228 | 215 |
| GN 114.6-20-35 | 20 | 35 | 4.8 | 1.2 | 23 ₊₁ | 19.8 | 25 | 40 | 14.8 | 33 | 228 | 229 |
| GN 114.6-20-40 | 20 | 40 | 4.8 | 1.2 | 23 ₊₁ | 19.8 | 25 | 40 | 14.8 | 33 | 228 | 240 |
| GN 114.6-20-45 | 20 | 45 | 4.8 | 1.2 | 23 ₊₁ | 19.8 | 25 | 40 | 14.8 | 33 | 228 | 256 |
| GN 114.6-20-50 | 20 | 50 | 4.8 | 1.2 | 23 ₊₁ | 19.8 | 25 | 40 | 14.8 | 33 | 228 | 266 |
| GN 114.6-20-60 | 20 | 60 | 4.8 | 1.2 | 23 ₊₁ | 19.8 | 25 | 40 | 14.8 | 33 | 228 | 300 |
| GN 114.6-20-70 | 20 | 70 | 4.8 | 1.2 | 23 ₊₁ | 19.8 | 25 | 40 | 14.8 | 33 | 228 | 340 |
| GN 114.6-20-80 | 20 | 80 | 4.8 | 1.2 | 23 ₊₁ | 19.8 | 25 | 40 | 14.8 | 33 | 228 | 340 |



STANDARD MACHINE ELEMENTS WORLDWIDE